

REVISION RECORD		
Edition	Data published	Revised contents
01	July, 2002	First edition
02	Sept. 2002	Second Edition Parts number changed for INTERLOCK UNIT and CT COVER2 (p20)
03	Dec. 2002	Fig. 10 changed and Fig. 11 deleted (p14) Parts erased and changed (p20) Parts number changed for SUB STAY LOCK (p21)
04	Feb. 2003	Parts number corrected for PICK ROLLER UNIT (p29)
05	Apr. 2003	Figure changed (p11 No.211 / 212) Parts number corrected for HINGE BUSH (p22) SHAFT added (p26)
06	Jun, 2003	Fig. 2, 3, 4, 6, 7 and 9 modified. Quantities of the parts in New type scanner are added in all Parts list. P/N revised or added in Parts list 2/12, 3/12, 9/12, 10/12, 11/12 and 12/12.
07	Oct, 2003	Fig. 3 and 6 modified (p7, No. 178 deleted/ p10, No. 178 added) Fig. number changed for MOTOR LU (p25) Parts number changed for DV-SENSOR CABLE, CT-DV CABLE, CR-RV-1 CABLE and CR-RV-2 CABLE (p26)
08	Feb, 2004	Fig. 9 modified (p13, No.220 – 231 added)

The contents of this manual is subject to change without prior notice.

All Rights Reserved, Copyright © 2002, 2003, 2004 PFU LIMITED

05	Apr. 17, 03	T. Anzai	H. Hasegawa	See Revision Record on page2.	TITLE fi-4860C Image Scanner Illustrated Parts Catalogue Draw No. P9PA03296-B001/6 PFU LIMITED	2/29
08	Feb. 04, 04	T. Anzai	H. Hasegawa	See Revision Record on page2		
07	Oct. 07, 03	T. Anzai	H. Hasegawa	See Revision Record on page2.		
06	Jun 30, 03	T. Anzai	H. Hasegawa	See Revision Record on page2.		
Rev.	Date	Design	Appr.	Description		
Date	July, 19, 02	Design	T. Anzai	Check		
			Appr.	H. Hasegawa		

HOW TO USE THIS MANUAL

05	Apr. 17, 03	T. Anzai	H.Hasegawa	See Revision Record on page2.					TITLE
08	Feb. 04, 04	T. Anzai	H.Hasegawa	See Revision Record on page2.					fi-4860C Image Scanner
07	Oct. 07, 03	T. Anzai	H.Hasegawa	See Revision Record on page2.					Illustrated Parts Catalogue
06	Jun 30, 03	T. Anzai	H.Hasegawa	See Revision Record on page2.					Draw No. P9PA03296-B001/6
Rev.	Date	Design	Appr.	Description	Check	T. Anzai	Appr.	H.Hasegawa	
Date	July, 19, 02	Design	T. Anzai	Check	T. Anzai	Appr.	H.Hasegawa		PFU LIMITED
									3/29

ILLUSTRATION

The illustration gives an exploded view of assemblies and separate parts, and how they fit together. Each part has a part number corresponding to an Index No. on the parts list.

PARTS LIST

(1) INDEX NO.

The number which corresponds with a parts number in the illustration. The parts are listed in the increasing order of the Index No. and Index No. correspond to the POS number of RSPL or SPLR

- SPLR case : Index No. is same as POS number.
- RSPL case : Index No. is POS number plus 500.

Regarding consumable parts, Index No. starts from 600, And regarding the parts in option, Index No. starts from 700.

(2) COMPOSITION & QUANTITY

This column shows the relationship among units, assemblies, subassemblies, and parts. A unit indicated in a column is assembled by the parts or units indicated in the next right column. The figure is the quantity of the parts needed to assemble into the higher assembly.

(3) Part Number

This column shows part number of the units, or parts.

(4) DESCRIPTION

The part name, applicable device number, and other information are given in this column.

CONTENTS

fi-4860C

Page

FIGURE 1 FINAL ASSEMBLY (1/2).....5

FIGURE 2 FINAL ASSEMBLY (2/2).....6

FIGURE 3 LOWER UNIT.....7

FIGURE 4 UPPER TRANSFER UNIT (1/2).....8

FIGURE 5 UPPER TRANSFER UNIT (2/2).....9

FIGURE 6 DOCUMENT FEED SECTION (1/2).....10

FIGURE 7 DOCUMENT FEED SECTION (2/2).....11

FIGURE 8 CONTROL PCA12

FIGURE 9 CABLE CONNECTION13

FIGURE 10 CABLE CLAMP (1/5).....14

FIGURE 11 CABLE CLAMP (2/5).....14

FIGURE 12 CABLE CLAMP (3/5).....15

FIGURE 13 CABLE CLAMP (4/5).....15

FIGURE 14 CABLE CLAMP (5/5).....16

FIGURE 15 PACKAGING.....17

05	Apr. 17, 03	T. Anzai	H. Hasegawa	See Revision Record on page2	TITLE		
08	Feb. 04, 04	T. Anzai	H. Hasegawa	See Revision Record on page2	fi-4860C Image Scanner		
07	Oct. 07, 03	T. Anzai	H. Hasegawa	See Revision Record on page2.	Illustrated Parts Catalogue		
06	Jun 30,03	T. Anzai	H. Hasegawa	See Revision Record on page2.	Draw No.		
Rev.	Date	Design	Appr.	Description	P9PA03296-B001/6		
Date	July,19, 02	Design	T. Anzai	Check	T. Anzai	Appr.	H. Hasegawa
PFU LIMITED							4/29

05	Apr. 17, 03	T. Anzai	H.Hasegawa	See Revision Record on page2.						
08	Feb. 04, 04	T. Anzai	H.Hasegawa	See Revision Record on page2.						
07	Oct. 07, 03	T. Anzai	H.Hasegawa	See Revision Record on page2.						
06	Jun 30, 03	T. Anzai	H.Hasegawa	See Revision Record on page2.						
Rev.	Date	Design	Appr.	Description	Check	Appr.				
	July, 19, 02									
TITLE fi-4860C Image Scanner Illustrated Parts Catalogue										
Draw No. P9PA03296-B001/6										
PFU LIMITED										8/29

Fig.4 UPPER TRANSFER UNIT (1/2)

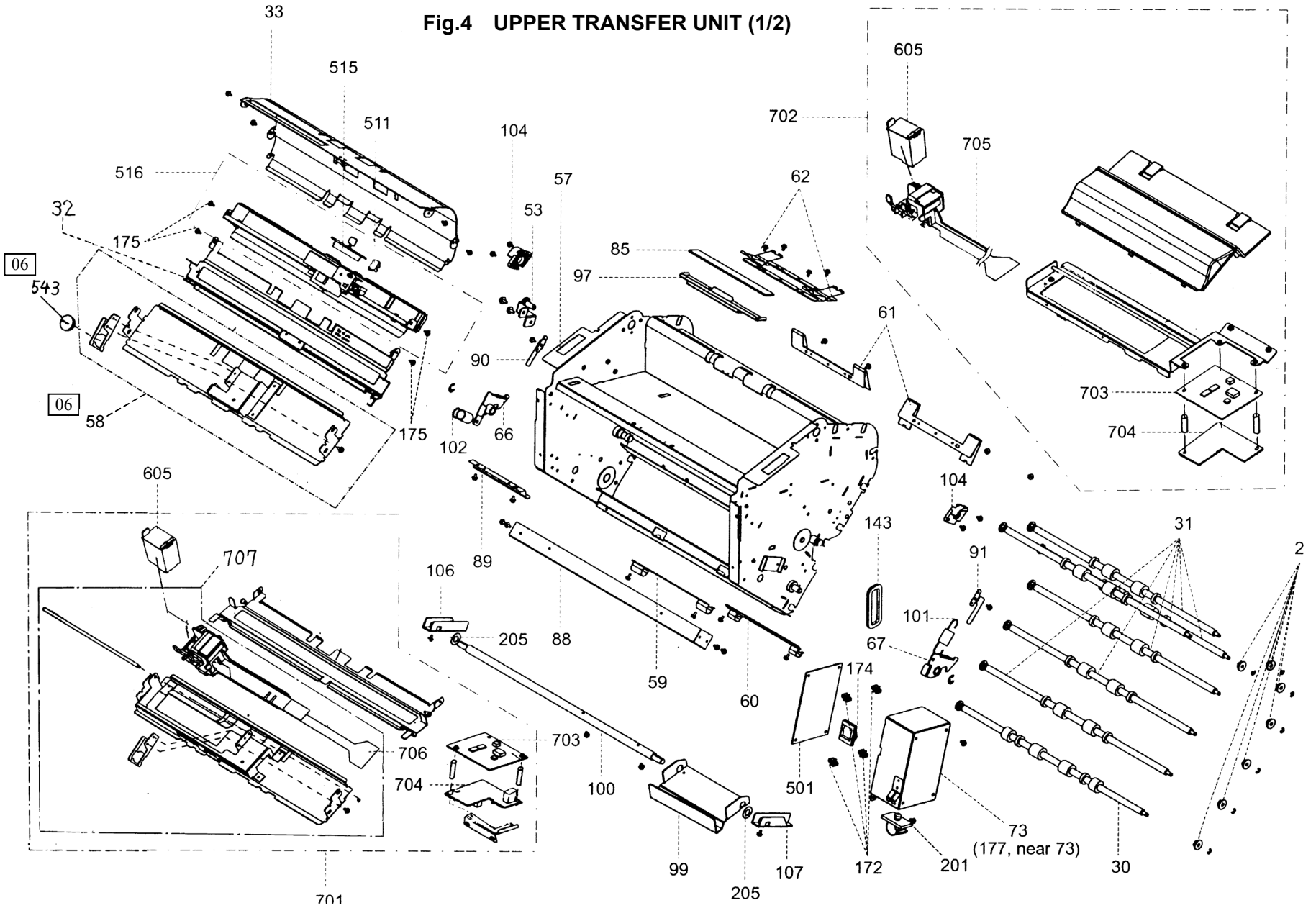
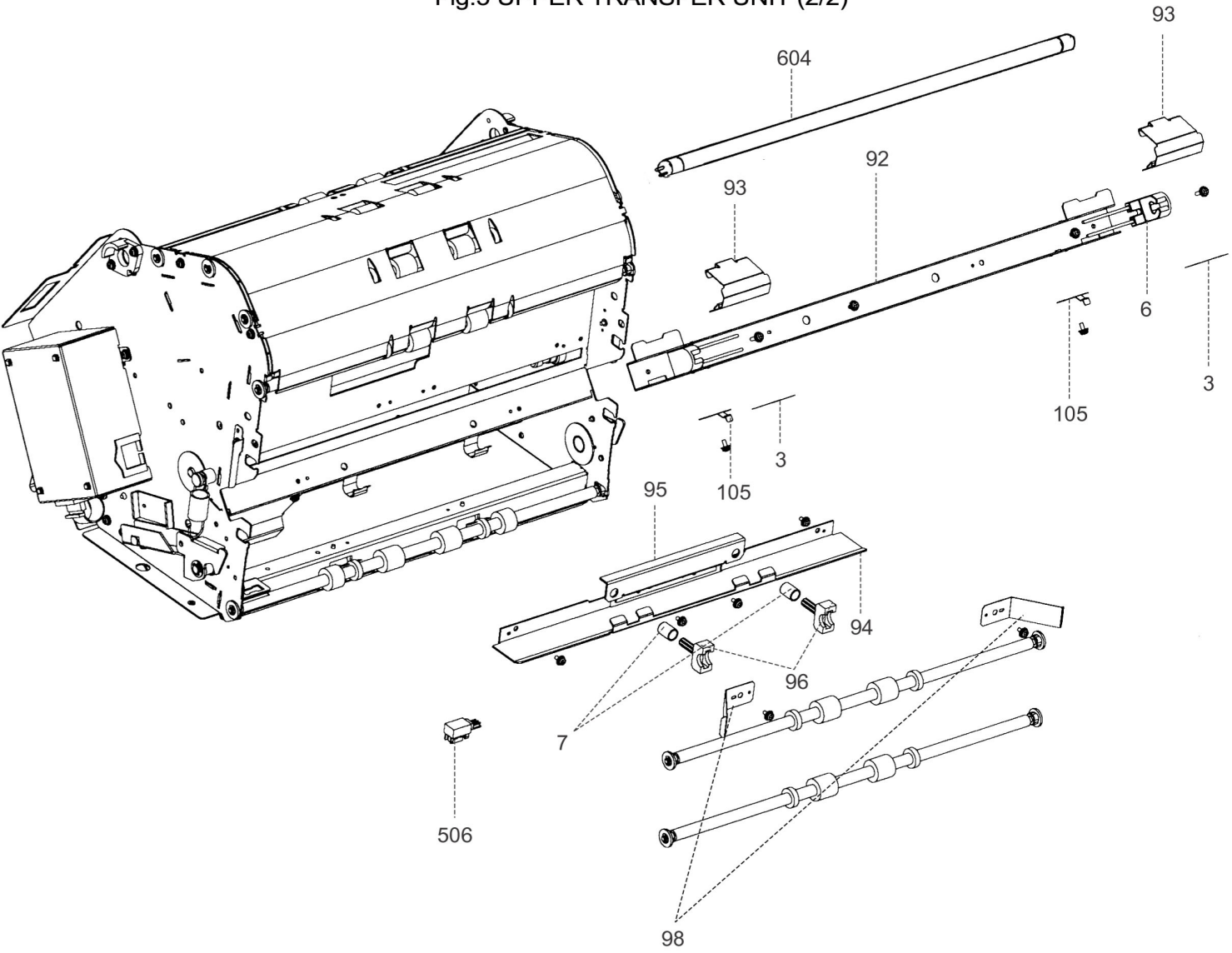


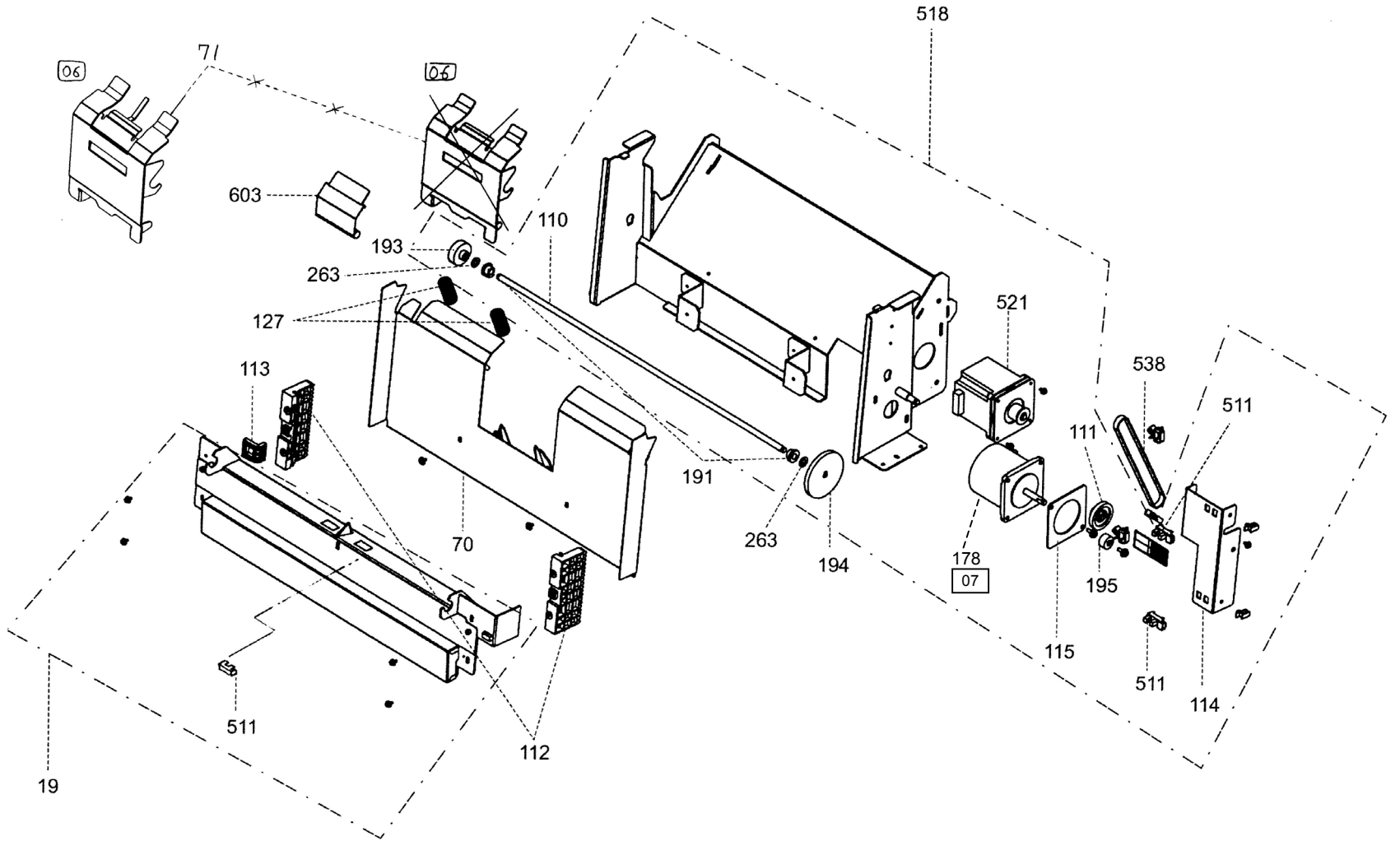
Fig.5 UPPER TRANSFER UNIT (2/2)



05	Apr. 17, 03	T. Anzai	H.Hasegawa	See Revision Record on page2.	TITLE		
08	Feb. 04, 04	T. Anzai	H.Hasegawa	See Revision Record on page2.	fi-4860C Image Scanner		
07	Oct. 07, 03	T. Anzai	H.Hasegawa	See Revision Record on page2.	Illustrated Parts Catalogue		
06	Jun 30, 03	T. Anzai	H.Hasegawa	See Revision Record on page2.	Draw No.	P9PA03296-B001/6	
Rev	Date	Design	Appr.	Description			
Date	July 19, 02	Design	T. Anzai	Check	T. Anzai	Appr.	H.Hasegawa
					PFU LIMITED	9/29	

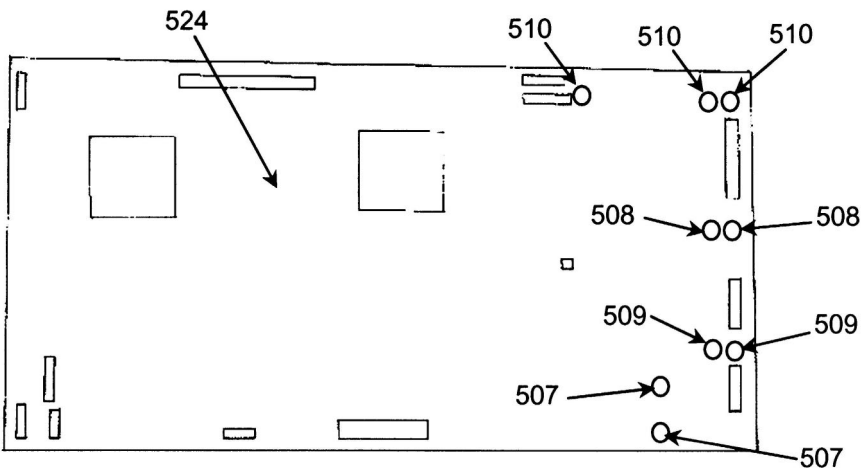
Fig.6 DOCUMENT FEED SEWCTION (1/2)

Note: Following parts are included in DOCUMENT FEED SECTION (519)



05	Apr. 17, 03	T. Anzai	H. Hasegawa	See Revision Record on page2			TITLE fi-4860C Image Scanner Illustrated Parts Catalogue	
08	Feb. 04, 04	T. Anzai	H. Hasegawa	See Revision Record on page2				
07	Oct. 07, 03	T. Anzai	H. Hasegawa	See Revision Record on page2.				
06	Jun. 30, 03	T. Anzai	H. Hasegawa	See Revision Record on page2.				
Rev.	Date	Design	Appr.	Description			Draw No. P9PA03296-B001/6	
Date	July, 19, 02	Design	T. Anzai	Check	Appr.	H. Hasegawa		
							PFU LIMITED	10/29

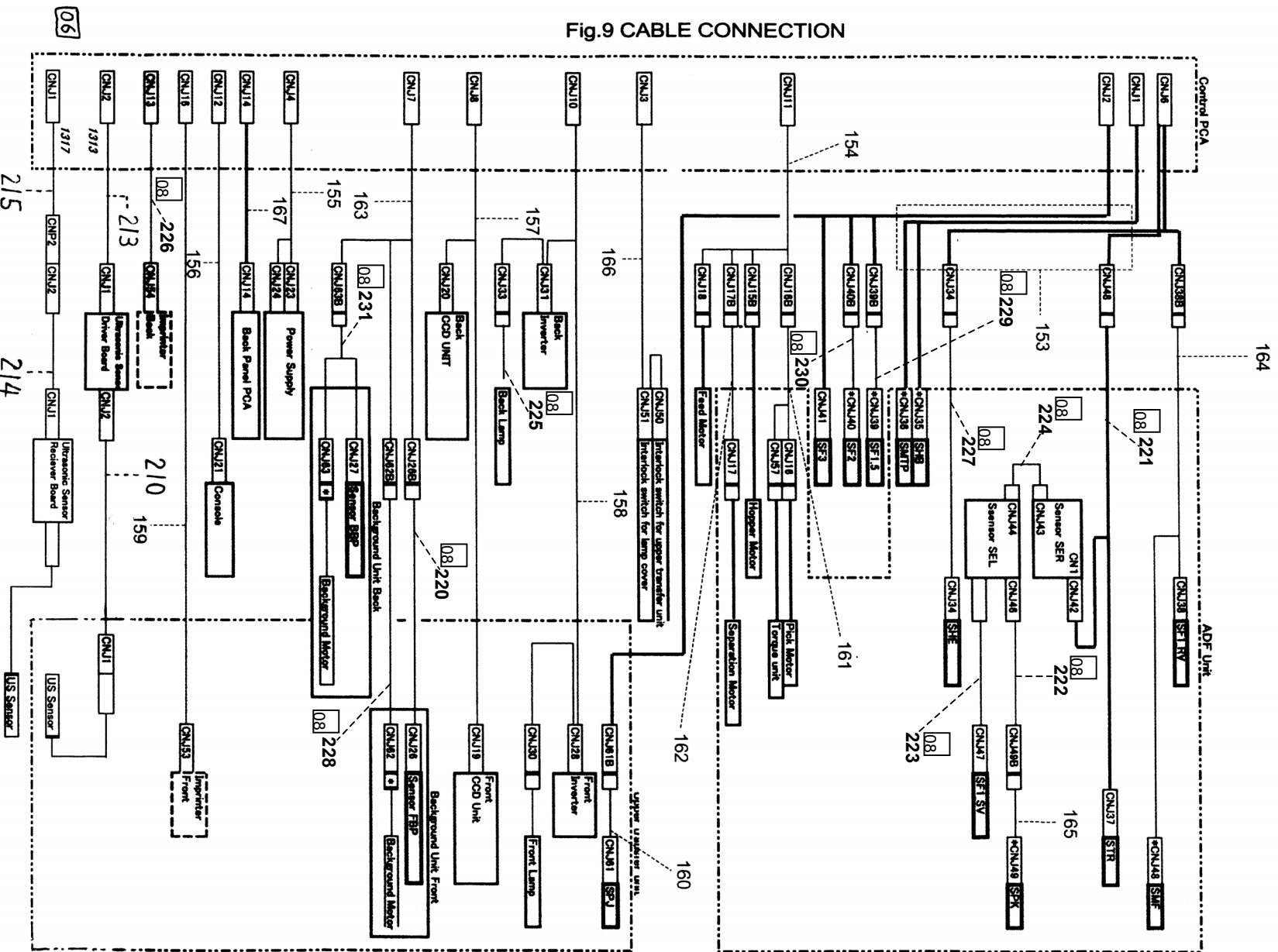
Fig.8 CONTROL PCA



#	Location	Current
507	FU1	0.5A
	FU2	
508	FU5	1.0A
	FU6	
509	FU3	1.6A
	FU4	
510	FU7	3.15A
	FU8	
	FU9	

05	Apr. 17, 03	T. Anzai	H. Hasegawa	See Revision Record on page2	TITLE fi-4860C Image Scanner Illustrated Parts Catalogue Draw No. p9PA03296-B001/6 PFU LIMITED	12/29	
08	Feb. 04, 04	T. Anzai	H. Hasegawa	See Revision Record on page2			
07	Oct. 07, 03	T. Anzai	H. Hasegawa	See Revision Record on page2.			
06	Jun 30, 03	T. Anzai	H. Hasegawa	See Revision Record on page2.			
Rev.	Date	Design	Appr.	Description			
Date	July, 19, 02	Design	T. Anzai	Check	T. Anzai	Appr.	H. Hasegawa

Fig.9 CABLE CONNECTION

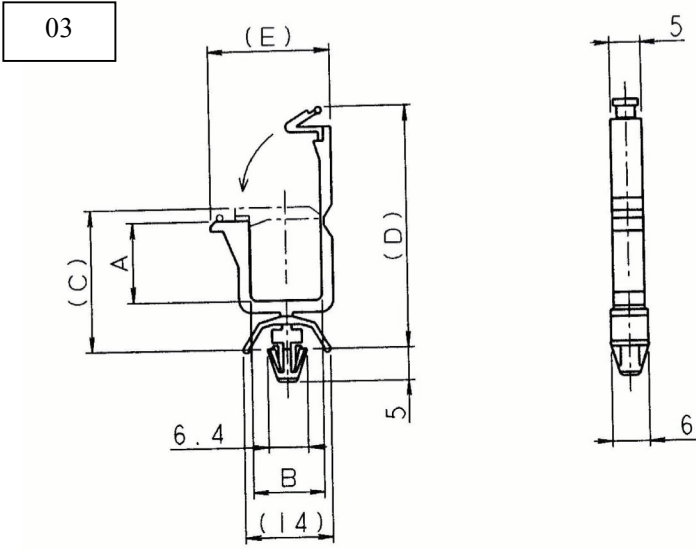


Rev.	Date	Design	Appr.	Description
05	Apr. 17, 03	T. Anzai	H.Hasegawa	See Revision Record on page2.
06	Jun 30, 03	T. Anzai	H.Hasegawa	See Revision Record on page2.
07	Oct. 07, 03	T. Anzai	H.Hasegawa	See Revision Record on page2.
08	Feb. 04, 04	T. Anzai	H.Hasegawa	See Revision Record on page2.
09	Apr. 19, 04	T. Anzai	H.Hasegawa	See Revision Record on page2.
10	Jul. 19, 02	Design	T. Anzai	Check
				Appr.
				H.Hasegawa

TITLE	
f-4860C Image Scanner	
Illustrated Parts Catalogue	
Draw No.	
P9PA03296-B001/6	
PFU LIMITED	13/29

05	Apr. 17, 03	T. Anzai	H.Hasegawa	See Revision Record on page2						TITLE fi-4860C Image Scanner Illustrated Parts Catalogue Draw No. P9P2A03296-B001/6
08	Feb. 04, 04	T. Anzai	H.Hasegawa	See Revision Record on page2						
07	Oct. 07, 03	T. Anzai	H.Hasegawa	See Revision Record on page2.						
06	Jun 30, 03	T. Anzai	H.Hasegawa	See Revision Record on page2.						
Rev.	Date	Design	Appr.	Description						
Date	July. 19, 02	Design	T. Anzai	Appr.	H.Hasegawa					PFU LIMITED
										14/29

Fig. 10 CABLE CLAMP (1/5)



Unit: mm

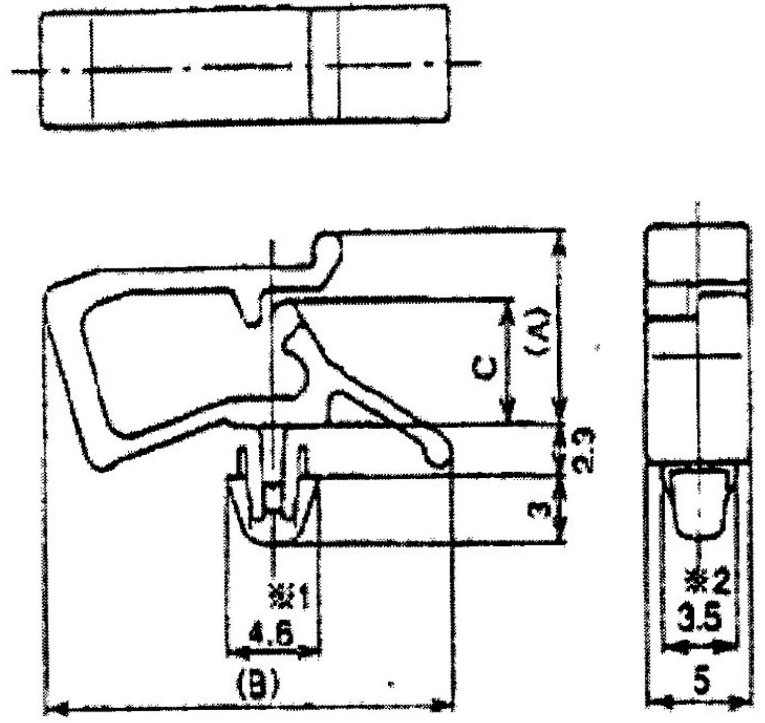
ID #	P/N	A	B	C	D	E
184	PA83951-0222	7.2 5.2	11.5	16.5 14.5	32.6 30.6	19.6

03

Fig 11. CABLE CLAMP (2/5)

03 Deleted

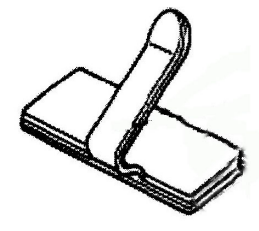
Fig.12 CABLE CLAMP (3/5)



Unit: mm

ID #	P/N	A	B	C
186	PA83952-1102	4.9	12.6	2.4
187	PA83952-1103	6.7	15.14	4.0
188	PA83952-1104	8.5	20.3	5.5

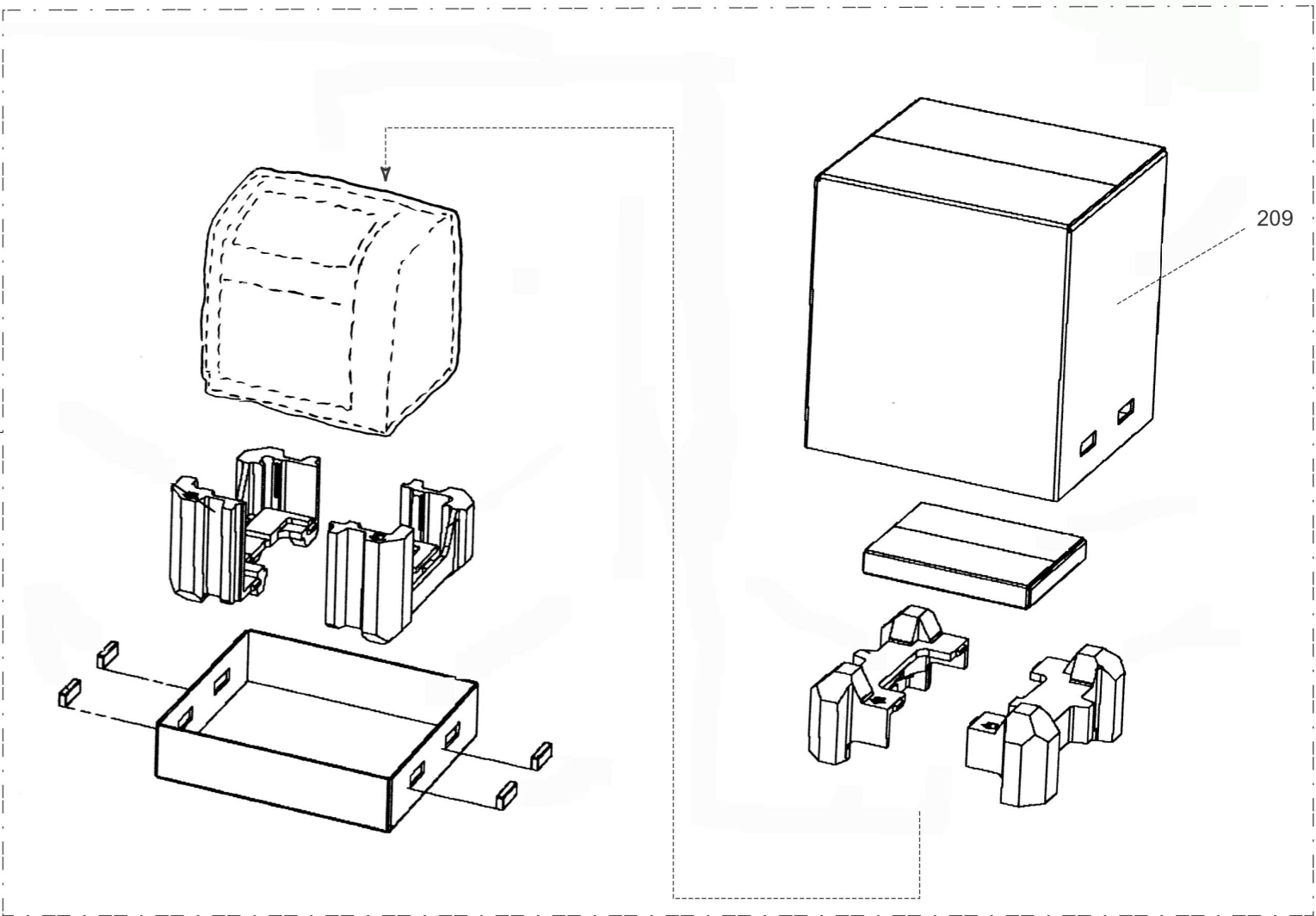
Fig.13 CABLE CLAMP (4/5)



ID #	P/N
189	PA83952-1202

Date	Rev.	Date	Rev.	Date	Rev.	Date	Rev.	Date	Rev.
July.19.02		Jun 30.03		Apr. 17. 03		Feb. 04. 04		Oct. 07. 03	
Design		T. Anzai		T. Anzai		T. Anzai		T. Anzai	
		H.Hasegawa		H.Hasegawa		H.Hasegawa		H.Hasegawa	
		Description		See Revision Record on page2.		See Revision Record on page2.		See Revision Record on page2.	
		T. Anzai		T. Anzai		T. Anzai		T. Anzai	
		Appr.		Appr.		Appr.		Appr.	
		H.Hasegawa		H.Hasegawa		H.Hasegawa		H.Hasegawa	
TITLE fi-4860C Image Scanner Illustrated Parts Catalogue Draw No. P9PA03296-B001/6 PFU LIMITED									
									15/29

Fig.15 PACKAGING



05	Apr. 17, 03	T. Anzai	H. Hasegawa	See Revision Record on page2	TITLE		
08	Feb. 04, 04	T. Anzai	H. Hasegawa	See Revision Record on page2	fi-4860C Image Scanner		
07	Oct. 07, 03	T. Anzai	H. Hasegawa	See Revision Record on page2.	Illustrated Parts Catalogue		
06	Jun 30, 03	T. Anzai	H. Hasegawa	See Revision Record on page2.	Draw No.		
Rev.	Date	Design	Appr.	Description	P9PA03296-B001/6		
Date	July, 19, 02	Design	T. Anzai	Check	T. Anzai	Appr.	H. Hasegawa
					PFU LIMITED		17/29

Parts List (1/12)

06

Index No.	Part Number	Description	Quantity		Fig. No.	Remarks
			Old type *	New type **		
1	CA01023-Z105	PLATE	1	1	Fig.3	
2	CA01023-Z321	BEARING	14	14	Fig.4	
3	CA01023-Z397	LABEL	2	2	Fig.5	
4	CA80409-0065	BEARING	2	2	Fig.3	
6	CA04315-F882	CABLE	1	1	Fig.5	
7	CA04315-Y387	SPRING	2	2	Fig.5	
8	CA04315-Y737	GEAR	1	1	Fig.7	
9	CA04315-Z713	COIL SPRING	2	2	Fig.7	
10	CA04315-Z747	UNIVERSAL JOINT	1	1	Fig.7	
11	CA98010-1838	BEARING	14	14	Fig.3	
12	CA98010-1845	MAGNET CATCH	1	1	Fig.1	
13	CA98010-1861	BEARING	3	3	Fig.7	
15	CT-UAMS-05-2-KG	MINI CLAMP	1	1	Fig.3	
16	D260-2014-X179	BEARING	2	2	Fig.7	
17	PA03237-Y634	DUPLEX SEAL	1	1	Fig.1	
18	PA03296-E150	INTERLOCK LAMP	1	1	Fig.3	
19	PA03296-E680	HOPPER CHANNEL	1	1	Fig.6	
20	PA03296-F035	LAMP HOLDER	1	1	Fig.1	
21	PA03296-F060	TENSIONER	1	1	Fig.3	
22	PA03296-F100	DRIVE ROLLER 1	1	1	Fig.3	Includes 11
23	PA03296-F101	DRIVE ROLLER 2	1	1	Fig.3	Includes 11
24	PA03296-F102	DRIVE ROLLER 3	1	1	Fig.3	Includes 11
25	PA03296-F103	DRIVE ROLLER 4	3	3	Fig.3	Includes 11

* P/Ns of Old type of the scanner are PA03296-B001, PA03296-B002, PA03296-B012 and PA03296-B017.

** The last two digits of P/N is greater than 50 for New type of scanner, such as PA03296-B051 etc.

05	Apr. 17. 03	T. Anzai	H. Hasegawa	See Revision Record on page2.	TITLE fi-4860C Image Scanner Illustrated Parts Catalogue
08	Feb. 04. 04	T. Anzai	H. Hasegawa	See Revision Record on page2.	
07	Oct. 07. 03	T. Anzai	H. Hasegawa	See Revision Record on page2.	
06	Jun 30.03	T. Anzai	H. Hasegawa	See Revision Record on page2.	
Rev.	Date	Design	Appr.	Description	
Date	July.19. 02	Design	T. Anzai	Check	PFU LIMITED
			Appr.	H. Hasegawa	18/29

Parts List (2/12)

06

Index No.	Part Number	Description	Quantity		Fig. No.	Remarks
			Old type *	New type **		
26	PA03296-F104	DRIVE ROLLER 5	1	1	Fig. 3	Includes 11
28	PA03296-F230	LOWER GUIDE 3	1	1	Fig. 3	
29	PA03296-F260	EGSA BASE	1	1	Fig. 2	
30	PA03296-F331	PINCH ROLLER 1	1	1	Fig. 4	Includes 2
31	PA03296-F332	PINCH ROLLER 2	6	6	Fig. 4	Includes 2
32	PA03296-F380	UPPER GUIDE 2	1	1	Fig. 4	
33	PA03296-F385	UPPER GUIDE 4	1	1	Fig. 4	
34	PA03296-F705	BRAKE BRACKET	1	1	Fig. 7	
37	PA03296-F718	LOWER GUIDE UNIT	1	1	Fig. 7	
38	PA03296-F720	ADF RELEASE LEVER (L)	1	1	Fig. 7	
39	PA03296-F721	ADF RELEASE LEVER (R)	1	1	Fig. 7	
40	PA03296-F725	UPPER SHEET GUIDE UNIT	1	1	Fig. 7	
41	PA03296-F770	SHAFT PIC	1	1	Fig. 7	
42	PA03296-F771	SHAFT B	1	1	Fig. 7	
44	PA03296-F900	FRONT COVER	1		Fig. 1	
06	PA03296-F940	FRONT COVER		1	Fig. 1	
45	PA03296-F910	SIDE COVER (R)	1	1	Fig. 2	
46	PA03296-F920	SIDE COVER (L)	1	1	Fig. 1	
47	PA03296-F930	TOP COVER	1	1	Fig. 1	
48	PA03296-G036	LAMP GUIDE PLATE	1	1	Fig. 3	
49	PA03296-G070	BRACKET	1	1	Fig. 3	
50	PA03296-G071	BRACKET	1	1	Fig. 3	

* P/Ns of Old type of the scanner are PA03296-B001, PA03296-B002, PA03296-B012 and PA03296-B017.

** The last two digits of P/N is greater than 50 for New type of scanner, such as PA03296-B051 etc.

05	Apr. 17, 03	T. Anzai	H.Hasegawa	See Revision Record on page2.	TITLE fi-4860C Image Scanner Illustrated Parts Catalogue Draw No. P9PA03296-B001/6
08	Feb. 04, 04	T. Anzai	H.Hasegawa	See Revision Record on page2.	
07	Oct. 07, 03	T. Anzai	H.Hasegawa	See Revision Record on page2.	
06	Jun 30, 03	T. Anzai	H.Hasegawa	See Revision Record on page2.	
Rev.	Date	Design	Appr.	Description	
Date	July, 19, 02	Design	T. Anzai	Check	PFU LIMITED
			Appr.	H.Hasegawa	19/29

Parts List (3/12)

06

Index No.	Part Number	Description	Quantity		Fig. No.	Remarks
			Old type *	New type **		
51	PA03296-G144 PA03296-G142 02	INTERLOCK UNIT	1	1	Fig.3	
52	PA03296-G170	DAMPER CYL-BRKT	1	1	Fig.3	
53	PA03296-G175	DAMPER BRKT	1	1	Fig.4	
54	PA03296-G178	HINGE	2	2	Fig.3	
55	PA03296-G240	LOWER GUIDE 4	1	1	Fig.3	
56	PA03296-G254 PA03296-G252 02	CT COVER 2	1	1	Fig.2	
57	PA03296-G300	UPPER FRAME 02	4		Fig.4	
58	PA03296-G310 PA03296-G323	UPPER GUIDE 4 UPPER GUIDE 1 US	1	1	Fig.4	
59	PA03296-G345	LEAF SRPING 1	1	1	Fig.4	
60	PA03296-G342 PA03296-G346 03	LEAF SRPING 2	1	1	Fig.4	
61	PA03296-G343	LEAF SRPING 3	2	2	Fig.4	
62	PA03296-G344	LEAF SRPING 4	2	2	Fig.4	
63	PA03296-G365	BRACKET	1	1	Fig.1	
64	PA03296-G366	BRACKET	1	1	Fig.1	
65	PA03296-G376 PA03296-G395 03	HINGE PIN	2	2	Fig.1	
66	PA03296-G378 PA03296-G379 03	LOCK (L) LOCK (R) 03	1	1	Fig.4	
67	PA03296-G379 PA03296-G378 03	LOCK (R) LOCK (L) 03	1	1	Fig.4	
68	PA03296-G700	ADF FRAME	1	1	Fig.7	
69	PA03296-G725	ADF UPPER GUIDE 1	1	1	Fig.7	
70	PA03296-G750	GATE	1	1	Fig.6	
71	PA03296-G754 G755 06	PAD BASE	1	1	Fig.6	
72	PA03296-G940	REAR COVER	1	1	Fig.2	
73	PA03296-G977	INVERTER (F) UNIT	1	1	Fig.4	
74	PA03296-Y015	TENSION PLATE F2	1	1	Fig.3	
75	PA03296-Y020	GUIDE 3L	1	1	Fig.3	

* P/Ns of Old type of the scanner are PA03296-B001, PA03296-B002, PA03296-B012 and PA03296-B017.

** The last two digits of P/N is greater than 50 for New type of scanner, such as PA03296-B051 etc.

05	Apr. 17, 03	T. Anzai	H. Hasegawa	See Revision Record on page2.	TITLE fi-4860C Image Scanner Illustrated Parts Catalogue
08	Feb. 04, 04	T. Anzai	H. Hasegawa	See Revision Record on page2.	
07	Oct. 07, 03	T. Anzai	H. Hasegawa	See Revision Record on page2.	
06	Jun 30, 03	T. Anzai	H. Hasegawa	See Revision Record on page2.	
Rev.	Date	Design	Appr.	Description	Draw No. pppPA03296-B001/6
Date	July 19, 02	Design	T. Anzai	Check	
					Appr.
					H. Hasegawa
					PFU LIMITED
					20/29

03

06

Parts List (4/12)

06

Index No.	Part Number	Description	Quantity		Fig No.	Remarks
			Old type *	New type **		
76	PA03296-Y021	GUIDE 3R	1	1	Fig.3	
77	PA03296-Y030	REFLECTOR PLATE	1	1	Fig.3	
78	PA03296-Y034	LAMP GUIDE 2	2	2	Fig.3	
79	PA03296-Y090	PLATE R	1	1	Fig.3	
80	PA03296-Y091	PLATE L	1	1	Fig.3	
81	PA03296-Y095	BEARING HOLDER	5	5	Fig.3	
82	PA03296-Y115	INVERTER PLATE	1	1	Fig.2	
83	PA03296-Y180	FELT PRE	1		Fig.3	
83	PA03296-Y188	FELT PRE		1	Fig.3	
85	PA03296-Y211	FELT	2	2	Fig. 3 and 4	
86	PA03296-Y243	SENSOR SF3 LEAF SPRING	1	1	Fig.3	
87	PA03296-Y250	CT COVER 1	1	1	Fig.2	
88	PA03296-Y314 PA03296-Y319	SUB STAY LOCK	1	1	Fig.4	
89	PA03296-Y313	FG SPRING OPT	1	1	Fig.4	
90	PA03296-Y316	GUIDE 2 SPRING L	1	1	Fig.4	
91	PA03296-Y317	GUIDE 2 SPRING R	1	1	Fig.4	
92	PA03296-Y335	LAMP BRACKET	1	1	Fig.5	
93	PA03296-Y336	LAMP SIDE COVER	2	2	Fig.5	
94	PA03296-Y340	REFLECTOR PLATE 2	1	1	Fig.5	
95	PA03296-Y347	METAL FITTING	1	1	Fig.5	
96	PA03296-Y348	PRESSURE RESIN	2	2	Fig.5	
97	PA03296-Y351	FELT POST	1	1	Fig.4	
98	PA03296-Y352	SPRING WB	2	2	Fig.5	
99	PA03296-Y371	KNOB	1	1	Fig.4	
100	PA03296-Y372	SHAFT	1	1	Fig.4	

* P/Ns of Old type of the scanner are PA03296-B001, PA03296-B002, PA03296-B012 and PA03296-B017.

** The last two digits of P/N is greater than 50 for New type of scanner, such as PA03296-B051 etc.

06

05	Apr. 17, 03	T. Anzai	H.Hasegawa	See Revision Record on page2	TITLE fr-4860C Image Scanner Illustrated Parts Catalogue
08	Feb. 04, 04	T. Anzai	H.Hasegawa	See Revision Record on page2	
07	Oct. 07, 03	T. Anzai	H.Hasegawa	See Revision Record on page2.	
06	Jun 30, 03	T. Anzai	H.Hasegawa	See Revision Record on page2.	
Rev.	Date	Design	Appr.	Description	
Date	July. 19, 02	Design	T. Anzai	Check	Appr.
					H.Hasegawa
PFU LIMITED					21/29

Parts List (5/12)

06

Index No.	Part Number	Description	Quantity		Fig No.	Remarks
			Old type *	New type **		
101	PA03296-Y374	LOCK SPRING 2	1	1	Fig.4	
102	PA03296-Y373	LOCK SPRING 1	1	1	Fig.4	
103	PA03296-Y376	HINGE COLLAR	1	1	Fig.1	
104	PA03296-Y377 Y379 05	HINGE BUSH	2	2	Fig.4	
105	PA03296-Y382	GUIDE 2 LEAF SPRING	2	2	Fig.5	
106	PA03296-Y386	LOCK L2	1	1	Fig.4	
107	PA03296-Y387	LOCK R2	1	1	Fig.4	
108	PA03296-Y513	POST PLATE	1	1	Fig.3	
109	PA03296-Y515	POST COVER PLATE	1	1	Fig.3	
110	PA03296-Y604	LIFTUP SHAFT	1	1	Fig.6	
111	PA03296-Y605	IDLER GEAR	1	1	Fig.6	
112	PA03296-Y606	RACK	2	2	Fig.6	
113	PA03296-Y610	RACK GUIDE	1	1	Fig.6	
114	PA03296-Y615	SENSOR METAL FITTING B	1	1	Fig.6	
115	PA03296-Y620	MOTOR PLATE LU	1	1	Fig.6	
116	PA03296-Y707	ADF UPPER GUIDE HOLDER	2	2	Fig.7	
117	PA03296-Y710	LEAF SPRING	1	1	Fig.7	
118	PA03296-Y711	ADJUSTMENT SCREW	1	1	Fig.7	
119	PA03296-Y723	ADF SHAFT	1	1	Fig.7	
120	PA03296-Y724	ADF SENSOR COVER	1	1	Fig.7	
121	PA03296-Y725	UPPER COVER PLATE	1	1	Fig.7	
122	PA03296-Y728	LOCK LEVER SPRING	2	2	Fig.7	
123	PA03296-Y732	PULLY GEAR B	2	2	Fig.7	
124	PA03296-Y734	SENSOR SPACER T	1	1	Fig.7	
125	PA03296-Y740	ADF UPPER GUIDE 2	1	1	Fig.7	

* P/Ns of Old type of the scanner are PA03296-B001, PA03296-B002, PA03296-B012 and PA03296-B017.

** The last two digits of P/N is greater than 50 for New type of scanner, such as PA03296-B051 etc.

05	Apr. 17, 03	T. Anzai	H.Hasegawa	See Revision Record on page2.	TITLE fi-4860C Image Scanner Illustrated Parts Catalogue
08	Feb. 04, 04	T. Anzai	H.Hasegawa	See Revision Record on page2.	
07	Oct. 07, 03	T. Anzai	H.Hasegawa	See Revision Record on page2.	
06	Jun 30, 03	T. Anzai	H.Hasegawa	See Revision Record on page2.	
Rev.	Date	Design	Appr.	Description	
Date	July 19, 02	Design	T. Anzai	Check	PFU LIMITED
			Appr.	H.Hasegawa	

Parts List (6/12)

Index No.	Part Number	Description	Quantity		Fig No	Remarks
			Old type *	New type **		
126	PA03296-Y750	IMP PANEL SUPPORT	1	1	Fig.7	
127	PA03296-Y751	SPRING	2	2	Fig.6	
128	PA03296-Y760	PICK HOLDING SPRING	1	1	Fig.7	
129	PA03296-Y768	LEAF SPRING	1	1	Fig.7	
130	PA03296-Y780	BRAKE METAL FITTING FULCRUM	1	1	Fig.7	
132	PA03296-Y799	BRUSH METAL FITTING	1	1	Fig.7	
133	PA03296-Y805	UPPER CLAMP PLATE	1	1	Fig.3	
134	PA03296-Y808	EGSA COVER	1	1	Fig.2	
135	PA03296-Y811	LOCK COLLAR L	1	1	Fig.3	
136	PA03296-Y812	LOCK COLLAR R	1	1	Fig.3	
137	PA03296-Y813	CLAMP PLATE 2	2	2	Fig.3	
138	PA03296-Y814	GAS DAMPER	1	1	Fig.3	
139	PA03296-Y815	CABLE CLAMP 1L	1	1	Fig.3	
140	PA03296-Y816	CABLE PLATE	1	1	Fig.3	
141	PA03296-Y830	BUSHING	1	1	Fig.3	
142	PA03296-Y831	BUSHING	1	1	Fig.3	
143	PA03296-Y832	BUSHING	1	1	Fig.4	
144	PA03296-Y900	FRONT COVER	1	1	Fig.1	
145	PA03296-Y947	STACKER SPRING	1	1	Fig.1	
146	PA03296-Y948	STACKER SPRING	1	1	Fig.1	
147	PA03296-Y950	SLIDER	1	1	Fig.1	
148	PA03296-Y951	STACKER	1	1	Fig.1	
149	PA03296-Y957	EXTENSION B	1	1	Fig.1	

* P/Ns of Old type of the scanner are PA03296-B001, PA03296-B002, PA03296-B012 and PA03296-B017.

** The last two digits of P/N is greater than 50 for New type of scanner, such as PA03296-B051 etc.

05	Apr. 17, 03	T. Anzai	H. Hasegawa	See Revision Record on page2	TITLE fi-4860C Image Scanner Illustrated Parts Catalogue
08	Feb. 04, 04	T. Anzai	H. Hasegawa	See Revision Record on page2	
07	Oct. 07, 03	T. Anzai	H. Hasegawa	See Revision Record on page2.	
06	Jun 30, 03	T. Anzai	H. Hasegawa	See Revision Record on page2.	
Rev.	Date	Design	Appr.	Description	Draw No. P9P/PA03296-B001/6
Date	July 19, 02	Design	T. Anzai	Check	
					Appr. H. Hasegawa
					PFU LIMITED
					23/29

Parts List (7/12)

06

Index No.	Part Number	Description	Quantity		Fig No.	Remarks
			Old type *	New type **		
153	PA70002-0954	SENSOR CABLE 1	1	1	Fig.9	
154	PA70002-0961	MOTOR CABLE	1	1	Fig.9	
155	PA70002-0963	POWER CABLE	1	1	Fig.9	
156	PA70002-0964	OP PANEL CABLE	1	1	Fig.9	
157	PA70002-0965	CCD CABLE	1	1	Fig.9	
158	PA70002-0967	INVERTER CABLE	1	1	Fig.9	
159	PA70002-0969	PRE PRINTER CABLE	1	1	Fig.9	
160	PA70002-0971	SENSOR CABLE 4	1	1	Fig.9	
161	PA70002-0972	MOTOR CABLE 2	1	1	Fig.9	
162	PA70002-0973	MOTOR CABLE 3	1	1	Fig.9	
163	PA70002-0974	BACKGROUND CABLE	1	1	Fig.9	
164	PA70002-0976	SENSOR CABLE 7	1	1	Fig.9	
165	PA70002-0977	SENSOR CABLE 8	1	1	Fig.9	
166	PA70002-1031	INTERLOCK CABLE	1	1	Fig.9	
167	PA70002-1032	BACK BOARD CABLE	1	1	Fig.9	
168	PA74152-0251	FG WIRE	1	1	Fig.1	
169	PA82900-0011	FG CLAMP	4	4	Fig.10	
170	PA82900-0012	FG CLAMP	2	2	Fig. 1 and 10	
171	PA82900-0010	FG CLAMP	2	2	Fig. 7 and 10	
172	PA82900-0141	DOUBLE LOCKING SPACER	8	8	Fig. 2 and 4	
173	PA82900-0320	THUMB SCREW	4	4	Fig.7	
174	PA83950-0019	EDGE SADDLE	1	1	Fig.4	
175	PA83950-0043	FULCRUM SCREW	4	4	Fig.4	

* P/Ns of Old type of the scanner are PA03296-B001, PA03296-B002, PA03296-B012 and PA03296-B017.

** The last two digits of P/N is greater than 50 for New type of scanner, such as PA03296-B051 etc.

05	Apr. 17, 03	T. Anzai	H.Hasegawa	See Revision Record on page2	TITLE fi-4860C Image Scanner Illustrated Parts Catalogue
08	Feb. 04, 04	T. Anzai	H.Hasegawa	See Revision Record on page2	
07	Oct. 07, 03	T. Anzai	H.Hasegawa	See Revision Record on page2.	
06	Jun 30, 03	T. Anzai	H.Hasegawa	See Revision Record on page2.	
Rev.	Date	Design	Appr.	Description	Draw No. P9PA03296-B001/6
Date	July 19, 02	Design	T. Anzai	Check	PFU LIMITED
					24/29

Parts List (8/12)

06

05	Apr. 17, 03	T. Anzai	H.Hasegawa	See Revision Record on page2.
08	Feb. 04, 04	T. Anzai	H.Hasegawa	See Revision Record on page2
07	Oct. 07, 03	T. Anzai	H.Hasegawa	See Revision Record on page2.
06	Jun 30, 03	T. Anzai	H.Hasegawa	See Revision Record on page2.
Rev.	Date	Design	Appr.	Description
Date	July, 19, 02	Design	T. Anzai	Check
			Appr.	H.Hasegawa
TITLE fi-4860C Image Scanner Illustrated Parts Catalogue Draw No. P9PA03296-B001/6				
PFU LIMITED				25/29

Index No.	Part Number	Description	Quantity		Fig No.	Remarks
			Old type *	New type **		
176	PA83950-0045	EDGE SADDLE	2	2	Fig.2	
177	PA83950-0269	BEADS BAND	1	1	Fig.4	
178	PA83950-0273	MOTOR LU	1	1	Fig.3 Fig 6 07	
182	PA83950-0286	ROTARY STAY	1	1	Fig.3	
184	PA83951-0222	CABLE CLAMP	2	2	Fig.10	
185	PA83951-0570	SPACER	2	2	Fig.1	
186	PA83952-1102	MINI CLAMP	4	4	Fig.12	
187	PA83952-1103	MINI CLAMP	4	4	Fig. 3 and 12	
188	PA83952-1104	MINI CLAMP	5	5	Fig.12	
189	PA83952-1202	CLAMP	7	7	Fig.13	
190	RU6GAC3-WH	RUBBER FOOT	4	4	Fig.3	
191	U120-4100-Z601	BEARING	2	2	Fig.6	
192	U120-4200-Z067	WASHER	2	2	Fig.1	
193	U120-4300-Z571	LIFTUP GEAR L	1	1	Fig.6	
194	U120-4300-Z572	LIFTUP GEAR R	1	1	Fig.6	
195	U120-4500-Z400	GEAR D	1	1	Fig.6	
196	U120-4500-Z712	STAY	1	1	Fig.3	
197	U30L-0010-0043	FULCRUM SCREW	2	2	Fig.2	
198	U30L-8000-0012#6001	BEARING	2	2	Fig.7	
199	U30L-8000-0012#6004	BEARING	1	1	Fig.7	
200	U98L-2000-0199	CKS CLAMP	3	3	Fig. 2, 3 and 14	

* P/Ns of Old type of the scanner are PA03296-B001, PA03296-B002, PA03296-B012 and PA03296-B017.

** The last two digits of P/N is greater than 50 for New type of scanner, such as PA03296-B051 etc.

Parts List (9/12)

06

Index No.	Part Number	Description	Quantity		Fig No.	Remarks
			Old type *	New type **		
201	U98L-2000-0201	CKS CLAMP	5	5	Fig. 2, 3, 4 and 14	
202	U98L-2000-0203	CKS CLAMP	1	1	Fig. 3 and 14	
203	U98L-2010-0005#6.0X1.0FM	POLY SLIDER	2	2	Fig.6	
204	U98L-2010-0005#8.0X0.5FM	POLY SLIDER	2	2	Fig.7	
205	U98L-2010-0005#8.0X1.0FM	POLY SLIDER	2	2	Fig.4	
207	PA97300-K561	PACKAGING BOX	1	1	Fig.15	
208	CA80409-0163	BEARING	4	4	Fig.3	
209	PA97301-Y019	UPPER BOX	1	1	Fig.15	
210	PA70002-1314 1314 07	DV-SENSOR CABLE		1	Fig.9	
211	CA04315-Z748	SHAFT	1	1	Fig. 7	
212	CA04315-Z749	SHAFT	1	1	Fig. 7	
213	PA70002-1318 1313 07	CT-DV CABLE		1	Fig.9	
214	PA70002-1319 1316 07	CR-RV-1 CABLE		1	Fig.9	
215	PA70002-1320 1317 07	CR-RV-2 CABLE		1	Fig.9	
220	CA04315-F882	CABLE		1	Fig.9	
221	PA70002-0955	SENSOER CABLE 2		1	Fig.9	
222	PA70002-0958	SENSOER BOAED CABLE 1		1	Fig.9	
223	PA70002-0959	SENSOER BOARD CABLE 2		1	Fig.9	
224	PA70002-0960	SENSOER BOARD CABLE 3		1	Fig.9	
225	PA70002-0968	BACKSIDE LAMP CABLE		1	Fig.9	
226	PA70002-0970	POST PRINTER CABLE		1	Fig.9	
227	PA70002-0975	SENSOER CABLE 6		1	Fig.9	
228	PA70002-0980	SENSOER CABLE 11		1	Fig.9	
229	PA70002-1033	SENSOER CABLE 9		1	Fig.9	
230	PA70002-1034	SENSOER CABLE 10		1	Fig.9	
231	PA70002-1035	WB JUNCTION CABLE		1	Fig.9	

* P/Ns of Old type of the scanner are PA03296-B001, PA03296-B002, PA03296-B012 and PA03296-B017.

** The last two digits of P/N is greater than 50 for New type of scanner, such as PA03296-B051 etc.

05	Apr. 17. 03	T. Anzai	H. Hasegawa	See Revision Record on page2.
08	Feb. 04. 04	T. Anzai	H. Hasegawa	See Revision Record on page2.
07	Oct. 07. 03	T. Anzai	H. Hasegawa	See Revision Record on page2.
06	Jun 30. 03	T. Anzai	H. Hasegawa	See Revision Record on page2.
Rev.	Date	Design	Appr.	Description
Date	July. 19. 02	Design	T. Anzai	Check
			Appr.	H. Hasegawa
PFU LIMITED				
26/29				

TITLE
fi-4860C Image Scanner
Illustrated Parts Catalogue

Draw No.
p9PA03296-B001/6

Parts List (10/12)

06

Index No.	Part Number	Description	Quantity		Fig No.	Remarks
			Old type *	New type **		
501	CA04315-0450	INVERTER	2	2	Fig. 2 and 4	
502	CA04315-0531	HIGH SPEED EGSA BOARD	1	1	Fig.2	
503	CA04315-0777	POWER SUPPLY UNIT	1	1	Fig.2	
504	CA04315-0810	FAN ASY	1	1	Fig.2	
505	CA04315-0890	SENSOR SF3	1	1	Fig.3	
506	PA46009-0012	SENSOR SPJ	1	1	Fig.5	
507	CA53004-0223	FUSE	2	2	Fig. 2 and 8	
508	CA53004-0225	FUSE	2	2	Fig. 2 and 8	
509	CA53004-0227	FUSE	2	2	Fig. 2 and 8	
510	CA53004-0231	FUSE	3	3	Fig. 2 and 8	
511	CA98010-1884	SENSOR	8	8	Fig. 3, 4, 6 and 7	
512	CA98010-2258	MICROSWITCH	2	2	Fig.3	
513	PA03296-D050	FEED MOTOR	1	1	Fig.3	
514a	PA03296-D280	BACKGROUND UNIT, FRONT	4		Fig.3	
514b	PA03296-D290	BACKGROUND UNIT, FRONT	1	1	Fig.3	
515	PA03296-D282	BACKGROUND MOTOR	2	2	Fig. 3 and 4	
516	PA03296-D390	BACKGROUND UNIT, BACK	4		Fig.4	
	PA03296-D395	BACKGROUND UNIT, BACK	1	1		
17	PA03296-D400	CCD UNIT	2	2	Fig. 1 and 2	
518	PA03296-D600	HOPPER UNIT	1	1	Fig.6	
519	PA03296-D700	DOCUMENT FEED SECTION-	4		Fig.1	
	PA03296-D785	DOCUMENT FEED SECTION	1	1		
520	PA03296-D710	ADF UNIT	4		Fig.7	
	PA03296-D787	ADF UNIT	1	1		

* P/Ns of Old type of the scanner are PA03296-B001, PA03296-B002, PA03296-B012 and PA03296-B017.

** The last two digits of P/N is greater than 50 for New type of scanner, such as PA03296-B051 etc.

05	Apr. 17, 03	T. Anzai	H.Hasegawa	See Revision Record on page2.
08	Feb. 04, 04	T. Anzai	H.Hasegawa	See Revision Record on page2.
07	Oct. 07, 03	T. Anzai	H.Hasegawa	See Revision Record on page2.
06	Jun 30, 03	T. Anzai	H.Hasegawa	See Revision Record on page2.
Rev.	Date	Design	Appr.	Description
Date	July 19, 02	Design	T. Anzai	Check
			Appr.	H.Hasegawa
PFU LIMITED				
27/29				
TITLE fi-4860C Image Scanner Illustrated Parts Catalogue Draw No. P9PA03296-B001/6				

Parts List (11/12)

06

05	Apr. 17, 03	T. Anzai	H.Hasegawa	See Revision Record on page2.	TITLE fi-4860C Image Scanner Illustrated Parts Catalogue Draw No. P9PA03296-B001/6	PFU LIMITED 28/29
08	Feb. 04, 04	T. Anzai	H.Hasegawa	See Revision Record on page2.		
07	Oct. 07, 03	T. Anzai	H.Hasegawa	See Revision Record on page2.		
06	Jun 30, 03	T. Anzai	H.Hasegawa	See Revision Record on page2.		
Rev.	Date	Design	Appr.	Description		
Date	July,19, 02	Design	T. Anzai	Check	T. Anzai	Appr.
						H.Hasegawa

Index No.	Part Number	Description	Quantity		Fig No.	Remarks
			Old type *	New type **		
521	PA03296-D712	SEPARATION MOTOR	1	1	Fig.6	
522	PA03296-D715	PICK MOTOR	1	1	Fig.7	
523	PA03296-D772	BRAKE TORQUE UNIT	1	1	Fig.7	
524	PA03296-D820	CONTROL PCA	4		Fig. 2 and 8	
	PA03296-D830	CONTROL PCA	1	1		
525	PA03296-D840	BACK PANEL PCA	1	1	Fig.2	
526	PA03296-D850	SENSOR SER	1	1	Fig.7	
527	PA03296-D860	SENSOR SEL	1	1	Fig.7	
528a	PA03296-D880	SENSOR PCA	2		Fig.3	
528b	PA03296-D885	SENSOR PCA		2	Fig.3	
529	PA03296-D890	CONSOLE UNIT	1	1	Fig.1	
530	PA03296-D951	STACKER TABLE	1	1	Fig.1	
531	PA03296-D960	HOPPER TABLE	1	1	Fig.1	
532	PA03296-Y190	DISELECTRIC BRUSH	1	1	Fig.2	
533	PA03296-Y797	ROLLER BRUSH	2	2	Fig.7	
534	PA03296-Y958	STOPPER A	3	3	Fig.1	
535	PA03951-0160	SENSOR SF1 LED	1	1	Fig.7	
536	PA03951-0161	SENSOR SF1 PD	1	1	Fig.7	
537	PA83950-0276	BELT FEED SUB	1	1	Fig.3	
538	PA83950-0277	BELT SEPARATION	1	1	Fig.6	
539	PA83950-0278	BELT PICK	1	1	Fig.7	
540	PA83950-0309	BELT FEED MAIN	1	1	Fig.3	
541	PA03334-K902	US PCA		1	Fig.3	
542	PA20118-B26X	USDV PCA		1	Fig.2	
543	PA03334-F902	US SENSOR		2	Fig.3 and 4	

* P/Ns of Old type of the scanner are PA03296-B001, PA03296-B002, PA03296-B012 and PA03296-B017.

** The last two digits of P/N is greater than 50 for New type of scanner, such as PA03296-B051 etc.

